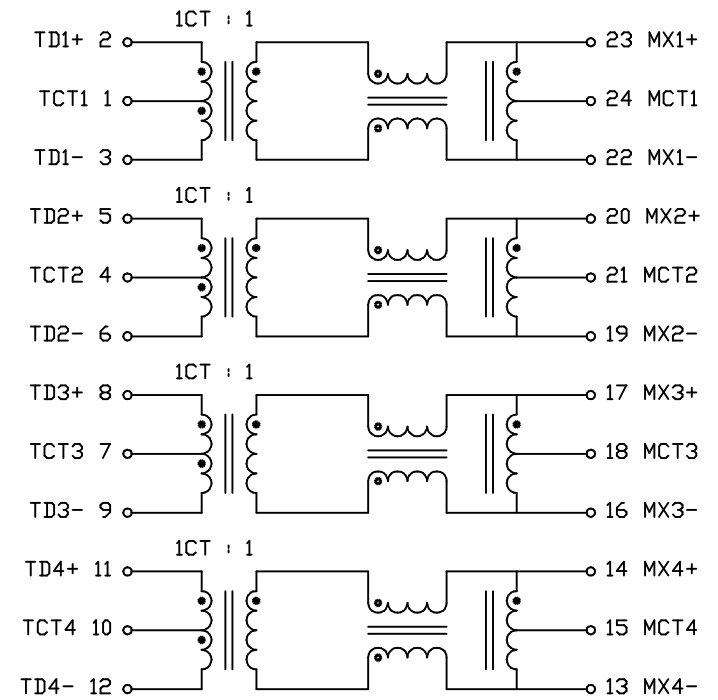


TOLERANCE : XX.X ± 0.25
 X.XX ± 0.05



ELECTRICAL SPECIFICATIONS @25°C : (H5008 COMPATIBLE)

- TURN RATIO : TX = 1CT : 1
RX = 1CT : 1
- VOLTAGE ISOLATION : 1500Vrms
- INSERTION LOSS : 1-100MHZ = -1.0dB MAX.
- RETURN LOSS (@100 OHM) : 1-30MHZ = -18dB MIN.
40MHZ = -14.4dB MIN.
50MHZ = -13.1dB MIN.
60-80MHZ = -12dB MIN.
100MHZ = -10dB MIN.
- CROSS TALK : 30MHZ = -45dB MIN.
60MHZ = -40dB MIN.
100MHZ = -35dB MIN.
- DIFFERENTIAL TO COMMON MODE REJECTION : 30MHZ = -43dB MIN.
60MHZ = -37dB MIN.
100MHZ = -33dB MIN.
- RoHS COMPLIANCE

| | | | | | | | | |
|-----------|-------------|------|----|-----|---|------|-------------------------------|--|
| | | | | | Atech Technology Co., Ltd. TEL:022794-6667 FAX:022794-8004 | | TITLE 1000 BASE-T TRANSFORMER | |
| | | | | | | | DWG. NO. ATPL-186R | |
| RELEASE | | | | | UNITS: | | SAFETY | |
| NO. | DESCRIPTION | DATE | BY | CHK | APPD | DATE | SHEET 10F 1 | |
| REVISIONS | | | | | | | DRAW | |